



STEIGER® TBR 230

Your universal Allrounder Flexible in any position



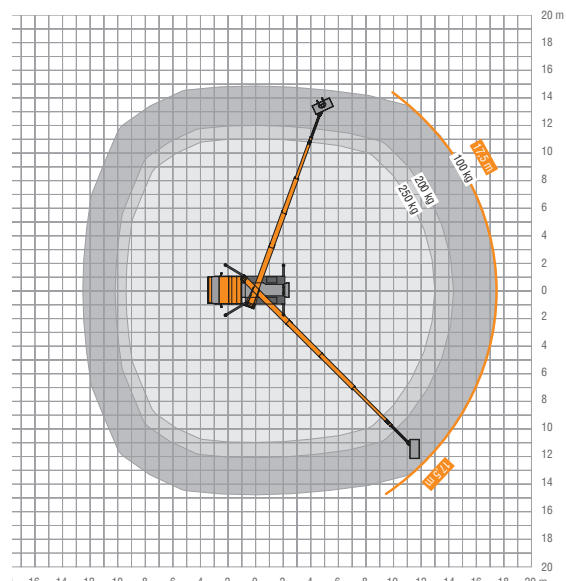
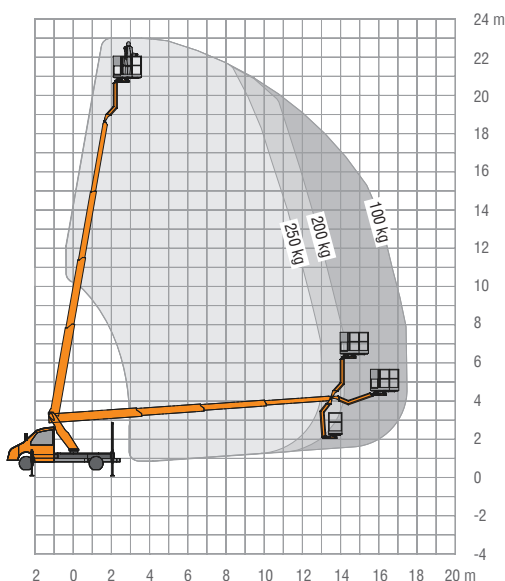
To be driven
from the
class B
driving
licence!

- 23 m max. working height with full basket load
- Outreach max. 17.5 m
- Lateral outreach max. 14.8 m
- 250 kg basket load

- ➔ 4 movements simultaneously possible (lift, rotate, telescope, Rüssel up / down) + basket rotation
- ➔ Mobile jib boom (RÜSSEL®), rotation 185°
- ➔ Improved work speed
- ➔ Premium technology in highest stability with easy handling
- ➔ High-strength fine-grained steel for maximum stability
- ➔ Improved basket unit with new design
- ➔ Common parts to other STEIGER® models for even more operating and maintenance efficiency

- ➔ Reduced stock of spare-parts through modular design
- ➔ New more torsion-resistant substructure construction
- ➔ Boom system with laser-welded seam (less distortion, more precise and more stable)

More powerful
and stable than
ever!





RUTHMANN
professionals at work

STEIGER® TBR 230

Compared to the previous model (the TBR 220), the new STEIGER® TBR 230 offers 1.2 m of additional working height and 1.3 m of increased reach capacity. In total, RUTHMANN's new STEIGER® TBR 230 features an enormous **23-m working height and 17.5-m reach at 250 kg basket-load capacity.**

In use, operators will additionally benefit from the following **Hi-lights:** Four simultaneous movements are now possible on the new models. Lifting, swiveling, telescoping, jib (RÜSSEL®) up / down movements, and additional basket rotations can all be controlled from inside the work basket. The basket rotation works electro-hydraulically, responding quickly and smoothly thanks to the worm-gear drive mechanism. Premium steel construction and a new base-frame and basket console design greatly enhance performance and stability at the job site.

The TBR STEIGER® models are so popular because of their movable jibs (RÜSSEL®). The jib design provides a basket rotation angle of 185°. Models in this series are perfect for a wide variety of tasks and for accessing those hard-to-reach places.

High flexibility
and easy
handling!



VERSATILITY FOR EVERYONE

The new STEIGER® generation is attractive for diverse groups. It is a real novelty on the market promising you as customer maximum utilization rate and comfort for each field of application. All models can be driven with a class B driving license.

	23 m		1,40 x 0,70 m
	17,5 m		250 kg
	2 x 225°		3,0 m
	185°		7,8 m
	5°		3.500 kg

*Subject to technical modifications, all details are approximate



RUTHMANN GmbH & Co. KG
Ruthmannstraße 4
48712 Gescher
GERMANY

Phone: +49 2863 204-0
Fax: +49 2863 204-212

Internet: www.ruthmann.de
E-mail: info@ruthmann.de