





Exceptional productivity:

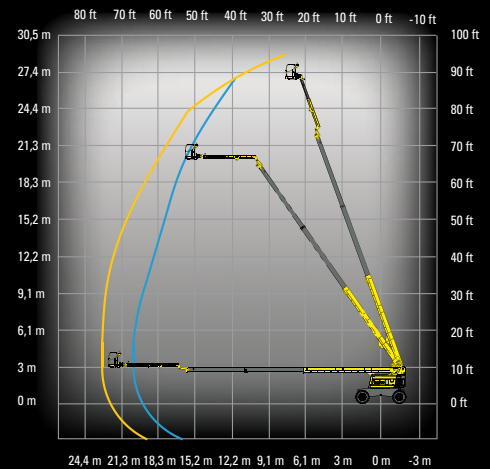
- Telescopic jib provides 6 m (19 ft 8 in) additional outreach which is extremely practical for accessing work areas and for getting around obstacles!
- 3 simultaneous and proportional movements
- Double load capacity: 350 kg / 772 lbs (3 people) or 230 kg / 507 lbs (2 people)
- Tailswing of 72 cm / 29 in for more compactness

Optimal rough terrain driving features:

- 4 wheel drive
- Rear oscillating axle
- Differential wheel lock
- Ground clearance of 54 cm / 22in

230 kg / 507 lbs / 2x 

350 kg / 770 lbs / 3x 



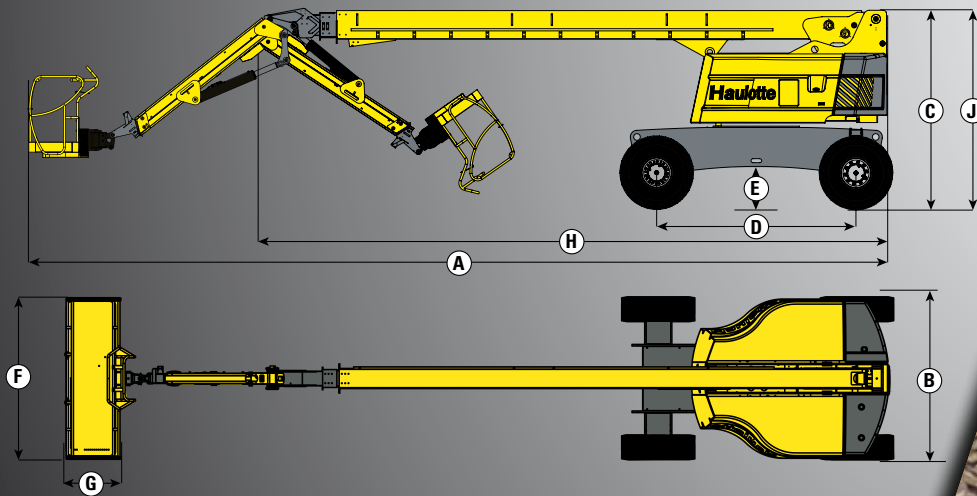
www.haulotte.com

Haulotte
GROUP

Expérience in innovation

H28 TJ+

Telescopic booms



TECHNICAL DATAS

H28 TJ+

Working height	28,2 m / 92 ft 6 in
Platform height	26,2 m / 86 ft 0 in
Horizontal outreach	22,6 m / 74 ft 2 in
Lift capacity	230 - 350 kg / 507 - 772 lbs
F x G - Platform size	1,8 x 0,8 m / 5 ft 11 in x 2 ft 7 in
A - Length	12,35 m / 40 ft 6 in
H - Length - transport	9,45 m / 31 ft 0 in
B - Overall width	2,49 m / 8 ft 2 in
C - Overall height	2,95 m / 9 ft 8 in
J - Height - transport	2,95 m / 9 ft 8 in
Vertical jib rotation	140° (+70/-70)
Platform rotation	180° (+90/-90)
Boom rotation angle	70 °
Turntable rotation	360 °
Tailswing	72 cm / 29 in
D - Wheelbase	3 m / 9 ft 10 in
E - Ground clearance	54 cm / 22 in
Tilt	4 °
Drive speed	0,5 - 5 km/h / 0,3 mph - 3,1 mph
Gradeability	40%
Turning radius - outside	7,45 m / 24 ft 5 in
Tires - foam-filled	18-625
Engine	55 kW - 74,7 hp
Weight	17300 kg / 38,147 lbs

STANDARD EQUIPMENT

- Vertical telescopic fly jib
- 3-section booms which fold down directly onto the turntable
- Telescopic jib in high elastic modulus steel and with octagonal cross section for rigidity
- The fixed-width frame allows the machine to be rapidly installed on site
- Hydrostatic transmission
- Automatic platform levelling
- Maintenance made easy: swing out engine tray
- Gull wing style cowlings
- Safe to use in winds up to 45km/h / 28mph
- Tilt controller
- Load Managing System in the platform
- Auxiliary power in the platform for emergency descent
- Horn
- Hourmeter

OPTIONS & ACCESSORIES

- Rotating beacon
- Travel alarm
- Working light
- Electric socket in the platform
- On-board generator
- Biodegradable hydraulic oil
- Large platform (2,44 x 0,80 m / 8 ft x 2 ft 7 in)



Haulotte 
GROUP