

Specifications

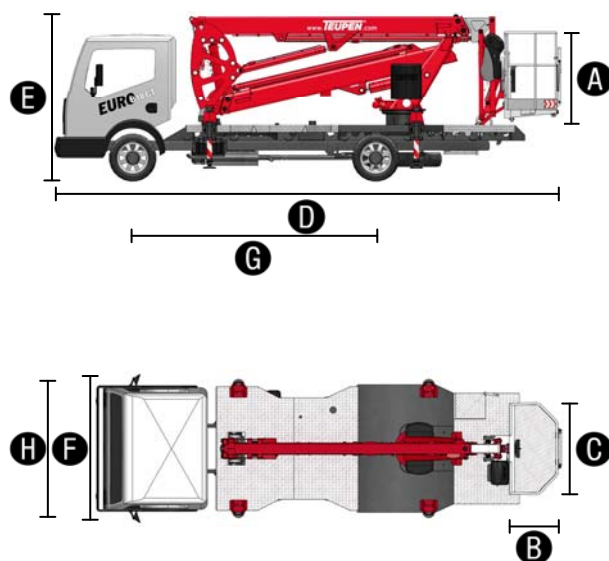
MEASUREMENTS	Nissan	Mercedes
Working height, max.	18,60 m	
Horizontal outreach, max.	8,25 m	
Up and Over Clearance, max.	8,10 m	
Platform height (A)	1,10 m	
Platform length (B)	0,70 m	
Platform width (C)	1,40 m	
Length, overall (D)	7,10 m	7,90 m
Height, travel position (E)	2,40 m	2,50 m
Width, minimal overall width (F)	2,30 m	
Wheelbase (G)	see below	
Width outrigger footprint min. (H)	2,30 m	
Outrigger plate Ø	2,30 m	

PRODUCTIVITY	Nissan	Mercedes
Basket capacity	200 kg	
Movable Jib	90°	
Basket rotation	-	
Turret rotation	355°	
To be jacked up on ground slope of	3°/5,2 %	
Power source aerial lift	Truck power take off	
Max. number of passengers	2	
Driver's license class	EURO B/3	

VEHICLE DATA: Nissan		
Vehicle model	Nissan Cabstar	
Available vehicle variations	35.12	35.14
Wheelbase	3400 mm	3400 mm
Max. permissible weight	3.500 kg	
Tank capacity	90,0 l	

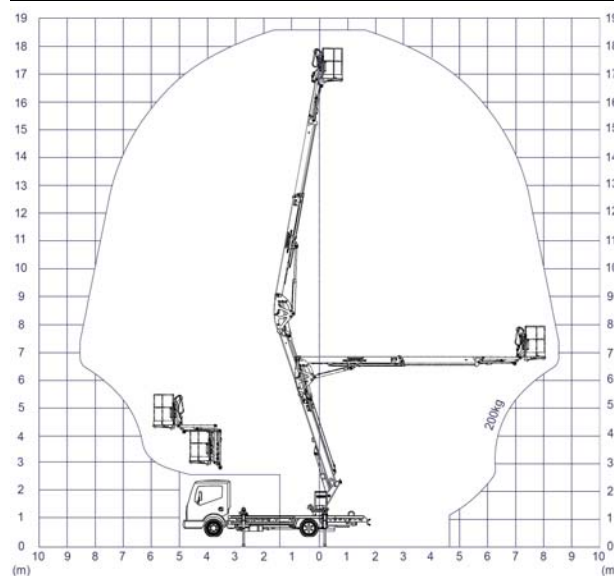
FAHRZEUGDATEN: Mercedes-Benz		
Vehicle model	Mercedes-Benz Sprinter	
Available vehicle variations	313 CDI	316 CDI
Wheelbase	4325 mm	4325 mm
Max. permissible weight	3.500 kg	
Tank capacity	75,0 l	

EURO B18 GT



Picture shows Nissan Cabstar 35.13

WORKING ENVELOPE



STANDARDS COMPLIANCE



EN ISO 9001



EN 280:2001

Product specifications are subject to change without notice or obligation. Photographs and drawings in this document are for illustrative purposes only. Refer to the appropriate Operator's Manual for instructions on the proper use of this equipment. Failure to follow the appropriate Operator's Manual when using our equipment or to otherwise act irresponsibly may result in serious injury or death. The only warranty applicable to our equipment is the standard written warranty applicable to the particular product and sale and we make no other warranty, expressed or implied. Products and services listed may be trademarks, service marks or trade-names of Teupen Maschinenbau GmbH and/or its subsidiaries in the U.S.A. and many other countries. "Teupen", "Access redefined" and "LEO Series" are registered Trademarks of Teupen GmbH in the United States of America and many other countries. Version 2013-A © 2013 Teupen Maschinenbau GmbH.

Features

CHASSIS & STABILISATION

- Compact design and sturdy construction for steady and balanced roadability
- Truck options: Nissan Cabstar or Mercedes-Benz Sprinter
- Fully-hydraulic, automatic leveling system
- Constant outrigger setup monitoring with ground pressure sensing
- 1° max. permissible inclination for setup
- Setup within the truck contours with a width of only 2,5 m
- Wear resistant, anti-friction PVC outrigger feet

BOOM SYSTEM

- Removable cable remote control
- All functions are available from one control panel
- Electric-proportional controls with intuitive operator guidance
- Robust, lockable control panel cover
- Self-levelling platform with fully-hydraulic levelling system
- Boom rotation via high-performance slew ring, worm gear and hydraulic motor
- Two-person basket with eyelets for safety harnesses
- Emergency controls and emergency lowering system via hand pump
- 355° turntable rotation
- Movable jib

POWER

- Drive of aerial lift over truck power take-off (PTO)
- Start-Stop switch of truck engine from the basket

PRODUCTIVITY, SAFETY, QUALITY

- 230 V (EU), 115 V (US) power outlet in the basket
- Chassis and outriggers with high-quality cathodic metal coating RAL 9005 (black)
- Boom and hydraulic cylinders painted in RAL 3020 (red)
- Total weight below 3,49 t (depending on truck and equipment of aerial lift)
- Cables and hoses are safely routed through the boom structure
- Biodegradable hydraulic oil
- Lock valves - hydraulic return valves directly on all hydraulic cylinders
- Relief valves protecting the hydraulic system from too high pressures
- Protective covers for oil-tank, emergency controls and connecting cables and hoses
- Protective covers for electric housing and ground control panel
- Hour meter
- Lateral safety frame according Road Traffic Licensing Regulations (StVZO)

EURO^B18GT

OPTIONS

- Custom paintwork, one colour, according to RAL scheme (except metallic coatings, signal- or special colors)
- Custom paintwork, two colours, according to RAL scheme (except metallic coatings, signal- or special colors)

ACCESSORIES

- Safety harness
- 4 Outrigger/Stabiliser pads (450 x 400 x 40 mm/1 ft 5 in x 1 ft 4 in x 1 1/2 in)
- Lockable storage frame for outrigger/stabiliser pads
- Lifting device (200 kg load capacity)
- Mounting for lifting device

Trucks & Truck Options

- Nissan Cabstar 35.12/Light Version
Basic version without airbags;
Equipment with air condition and radio not possible
- Nissan Cabstar 35.14/6-speed gear box/Light Version
Basic version without airbags;
Equipment with air condition and radio not possible
- 313 CDI Mercedes Sprinter
Basic version with airbags
Equipment of air condition and radio included
- 316 CDI Mercedes Sprinter
Basic version with airbags
Equipment of air condition and radio included
- Fog lights (only for Nissan Cabstar models)
- Destination charges for carrier vehicle

Enquiries from North & South America:

US Office

Teupen USA, Inc.
10701 Southern Loop Blvd.
Pineville, NC 28134, USA
phone (704) 248-9871
fax (704) 248-9889
infousa@teupen.com
www.teupen.com/us

Enquiries from Europe, Asia, Middle East & Africa:

Corporate Headquarters

Teupen Maschinenbau GmbH
Marie-Curie-Str. 13
Germany
phone +49 2562 8161-0
fax +49 2562 6161-888
mail@teupen.com
www.teupen.com