

Snake 2413 plus

ON MERCEDES SPRINTER



PM Oil&Steel SpA

IT - 41018 S. Cesario Sul Panaro MO
Via G. Verdi, 22
tel. +39 059 936811 • fax +39 059 936804
info@oilsteel.it • www.oilsteel.com

Oil&Steel is a brand of Manitex International

OIL & STEEL
AERIAL PLATFORMS

AERIAL PLATFORM STANDARD EQUIPMENT

- Power takeoff with electrical start-up and automatic release
- Power takeoff on with no handbrake warning siren
- Power takeoff hour counter fitted on the dashboard of the vehicle
- Warning lights on the hour counter inside the cabin showing PTO ON and outriggers outside the vehicle profile
- Start-up and shutdown of the main engine [and potential auxiliary engine] from the basket and from the column
- Engine emergency stop button from the basket and from the column
- Single-phase, 220 or 110 V AC power socket and differential overload switch fitted on the basket
- Truck cabin anti-collision system
- Moment detection and limiting system
- Hand pump for emergency descent
- Aerial part controls: electro-hydraulic
- Outrigger controls: hydraulic
- Manual extension of front crosspieces
- Possibility to work with front crosspieces both opened, both closed, one side opened, one side closed
- Two-person aluminum basket with dimensions 1400x700xh1100 mm
- Hydraulic rotation of the basket 90° right - 90° left
- Protective casing for control box on the column and on the basket
- Thermal protection on the electrical system
- Lock valves on all cylinders
- Hydraulic circuit maximum pressure valves
- Anti-slip aluminum decking
- Standard painting white RAL 9016

TRUCK STANDARD FEATURES

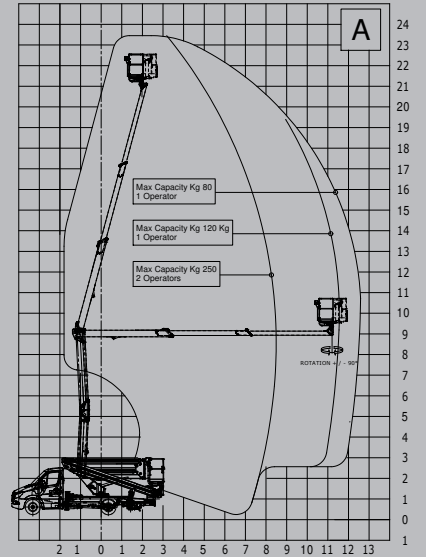
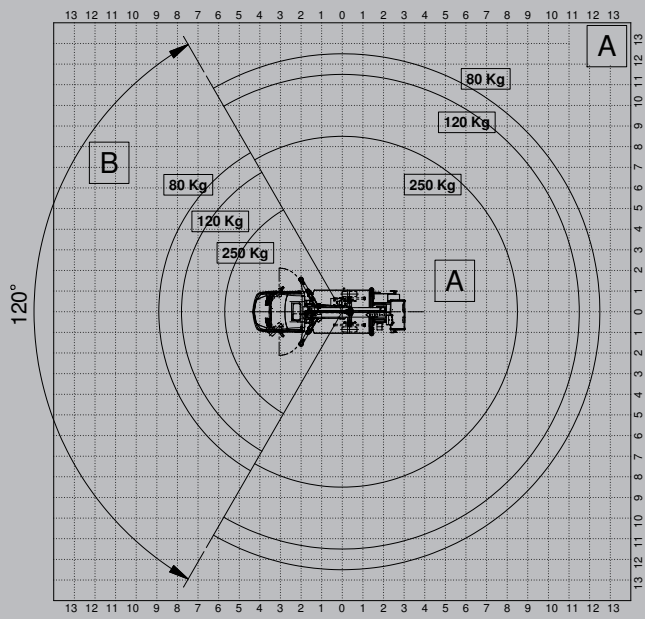
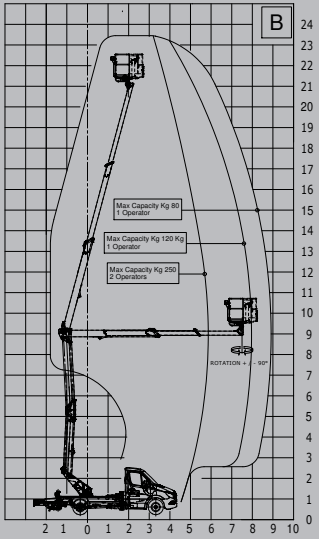
MERCEDES SPRINTER 311 CDE T 37/35 wheelbase 3665mm

- Multifunctional steering wheel
- Digital radio (DAB)
- MBUX multimedia system with 7-inch touch screen
- TSG 360 six-speed manual transmission
- Power windows
- OM651 DE22 LA 120kW 3800/rpm engine
- Central locking with remote control

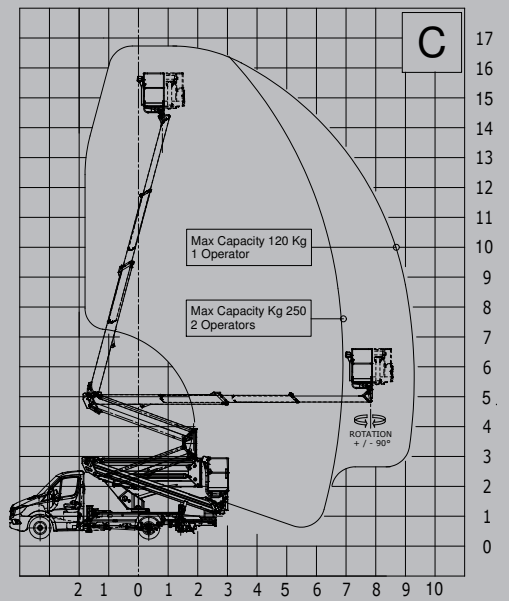
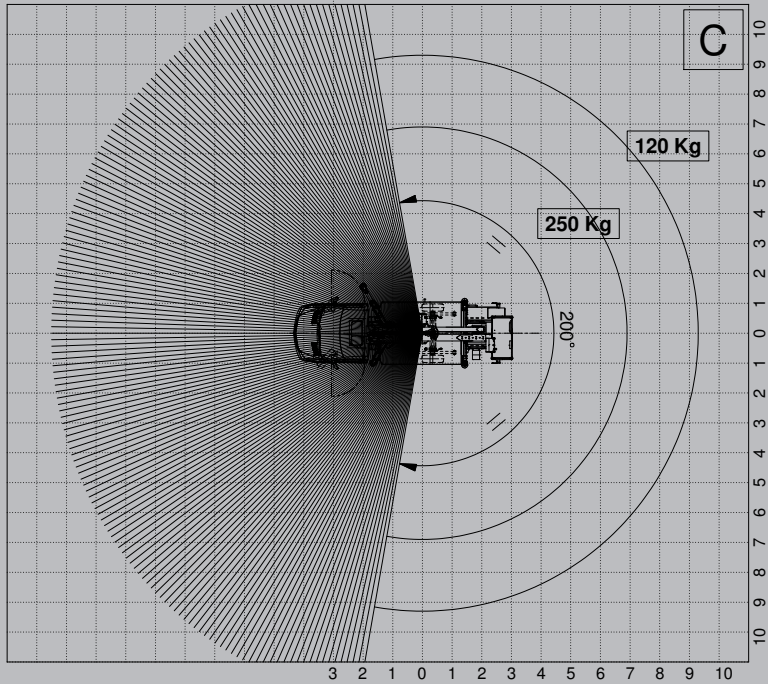
OPTIONAL

- Boom and platform treated using corrosion-resistant paint, screws in stainless steel
- Water air-line supply to the basket
- Hydraulic extension of front crosspieces
- Electro-hydraulic extension of front crosspieces [it includes automatic stabilization from the basket + homing function aerial part]
- Homing function [automatic shut-down of the aerial part]
- Underride guards
- Underride guards with plastic toolbox [only if plastic toolbox is included as optional]
- Oil tank protection cover
- Oil tank protection cover + additional flatbed on the left side
- Kit junction protection
- Fiberglass basket 1400 x 700 x 1100 mm [instead of standard] non-insulated
- Fiberglass basket 1400 x 700 x 1100 mm + 1KV insulation [instead of standard]
- Step to access the rear right flatbed [instead of standard]
- Kit 4 nylon outrigger pads
- Working height limiting device
- Tilt sensor
- 12V DC socket
- 12V DC socket + Working light 60W on basket
- Kit 2 harnesses with rope
- Electrical pump 12V DC 1.6 kW for emergency descent
- Auxiliary single-phase 110V AC or 220V AC - 2.2 kW electrical pump
- 12V revolving orange light for truck cabin
- 12V revolving blue light for truck cabin
- 12V revolving orange light for truck cabin + bar
- 12V revolving orange light for truck cabin + trifflesh bar
- Plastic toolbox with dimensions 480 x 400 x 400mm placed under the deck
- Red and white reflective decals on truck
- Fixed aluminium side panels 100mm / 150 mm / 200 mm height
- Drop-down panels on 1 side (right) with 100 mm / 150 mm / 200 mm height
- Drop-down panels on 2 sides with 100 mm / 150 mm / 200 mm height
- Aerial part painting different from standard [std RAL colors]
- Truck cabin painting different from standard [external part only] - std RAL colors
- Extended warranty 2 years [+1 year in addition to standard warranty conditions]
- Extended warranty 3 years [+2 years in addition to standard warranty conditions]
- Air conditioning system

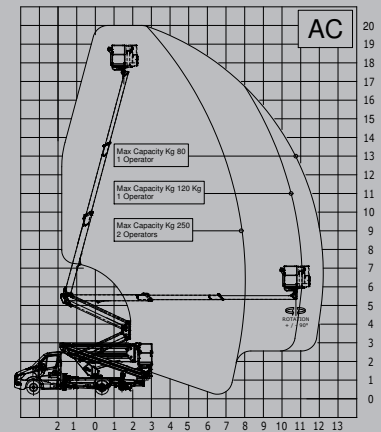
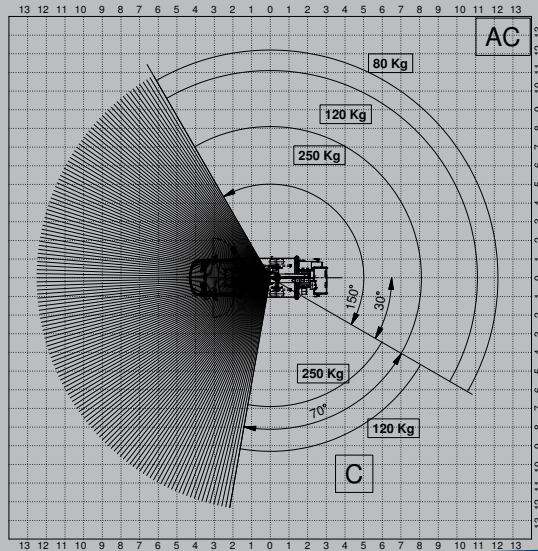
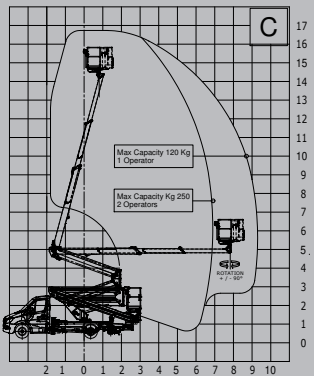
CROSSBEAMS FULLY OPENED



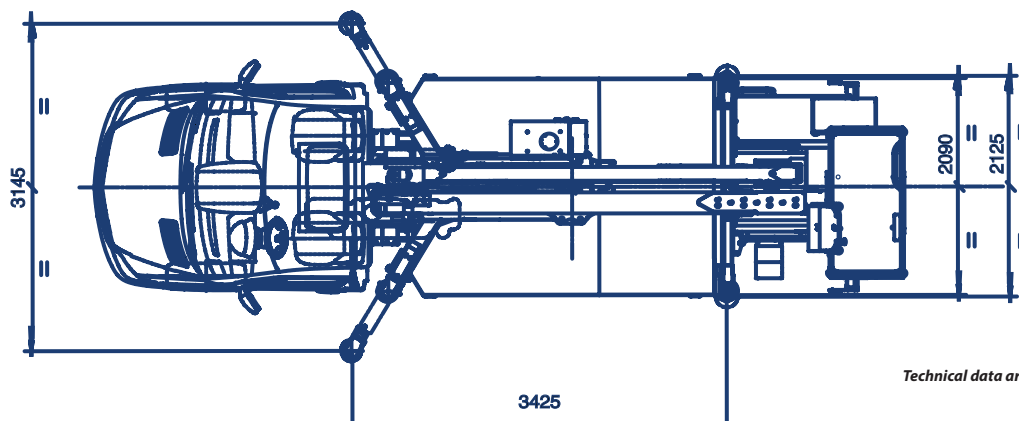
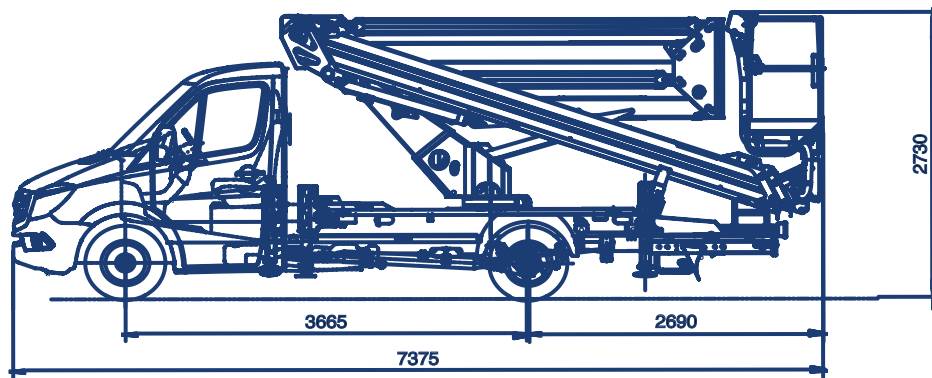
CROSSBEAMS CLOSED



CROSSBEAMS ONE SIDE FULLY OPENED ONE SIDE CLOSED



Snake 2413 plus



Technical data are purely indicative.

TECHNICAL FEATURES

Max working height (m)	23,5 m
Max outreach (m)	12,6 m
Max basket capacity	250 kg
Basket dimensions	1400x700xh1100 mm aluminium [Fiberglass as optional]
Controls	Aerial part: electro-hydraulic Outriggers: hydraulic [electro-hydraulic as optional]
Turret rotation	400°
Basket rotation	90° left + 90° right
Outriggers	H Type
Machine length	7375 mm
Machine height	2730 mm
Machine width	2125 mm

All technical data, descriptions and illustrations are purely indicative and subject to change at PM Oil&Steel own discretion and without notice.

PM Oil&Steel SpA

IT - 41018 S. Cesario Sul Panaro MO
Via G. Verdi, 22
tel. +39 059 936811 • fax +39 059 936804
info@oilsteel.it • www.oilsteel.com

Oil&Steel is a brand of Manitex International

OIL & STEEL
AERIAL PLATFORMS