

# Snake 2010 plus

ON IVECO DAILY 35S14H



**PM Oil&Steel SpA**

IT - 41018 S. Cesario Sul Panaro MO

Via G. Verdi, 22

tel. +39 059 936811 • fax +39 059 936804

info@oilsteel.it • www.oilsteel.com

**OIL & STEEL**  
AERIAL PLATFORMS

*Oil&Steel is a brand of Manitex International*

## AERIAL PLATFORM STANDARD EQUIPMENT

- Power takeoff with electrical start-up and automatic release
- Power takeoff on with no handbrake-warning siren
- Power takeoff hour counter fitted on the dashboard of the vehicle
- Warning lights on the hour counter inside the cabin showing PTO ON and outriggers outside the vehicle profile
- Start-up and shutdown of the main engine [and potential auxiliary engine] from the basket and from the column
- Engine emergency stop button from the basket and from the column
- Single-phase, 220 or 110 V AC power socket and differential overload switch fitted on the basket
- Moment detection and limiting system
- Hand pump for emergency descent
- Aerial part and outrigger controls: hydraulic
- Hoses and cables inside the booms
- Two-person aluminium basket with dimensions 1400x700x1100 mm
- Hydraulic rotation of the basket 90° right - 90° left
- Protective casing for control box on the column and on the basket
- Thermal protection on the electrical system
- Lock valves on all cylinders
- Hydraulic circuit maximum pressure valves
- Anti-slip aluminium decking
- Standard painting white RAL 9016

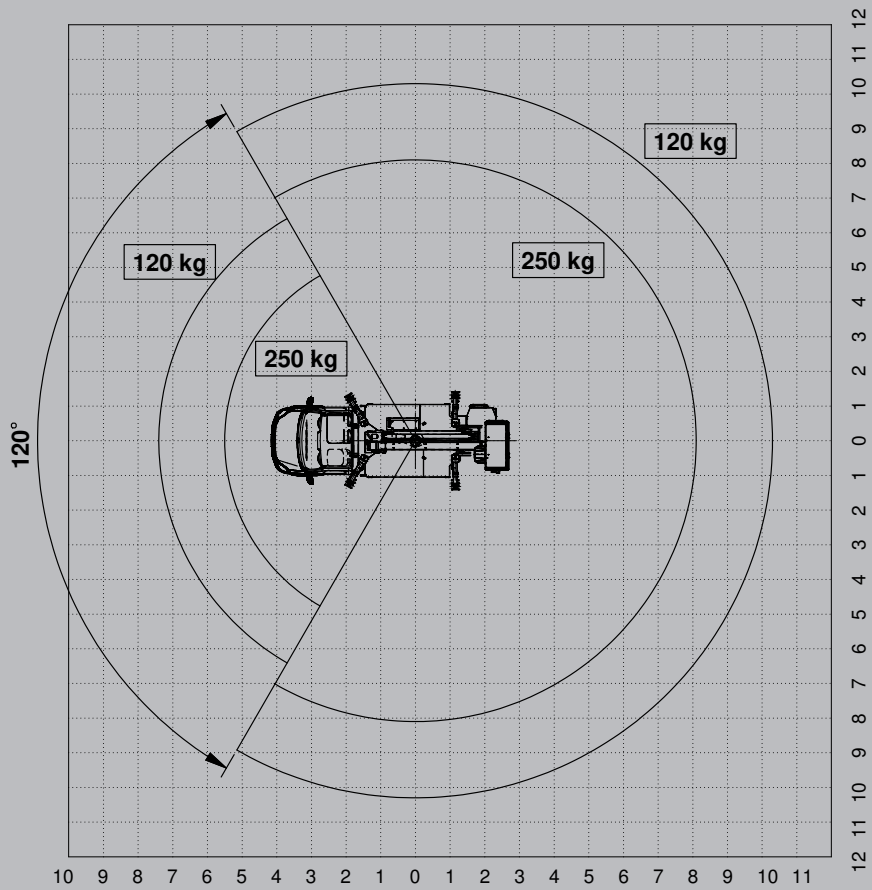
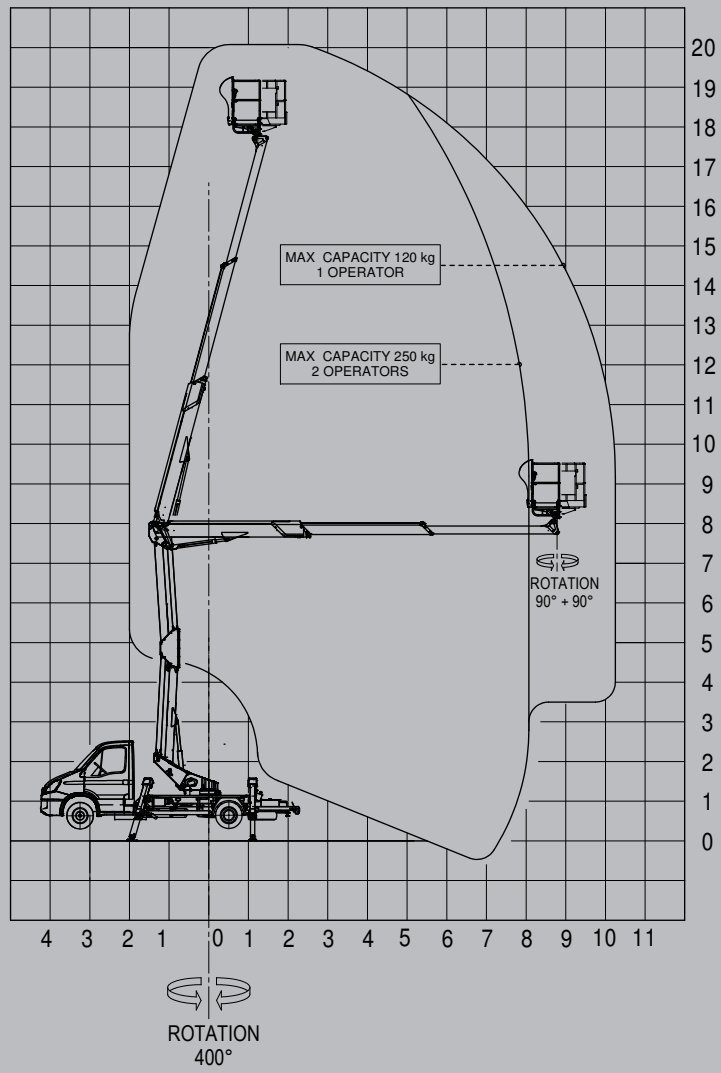
## TRUCK STANDARD FEATURES

### IVECO DAILY 35S14H wheelbase 3750 mm

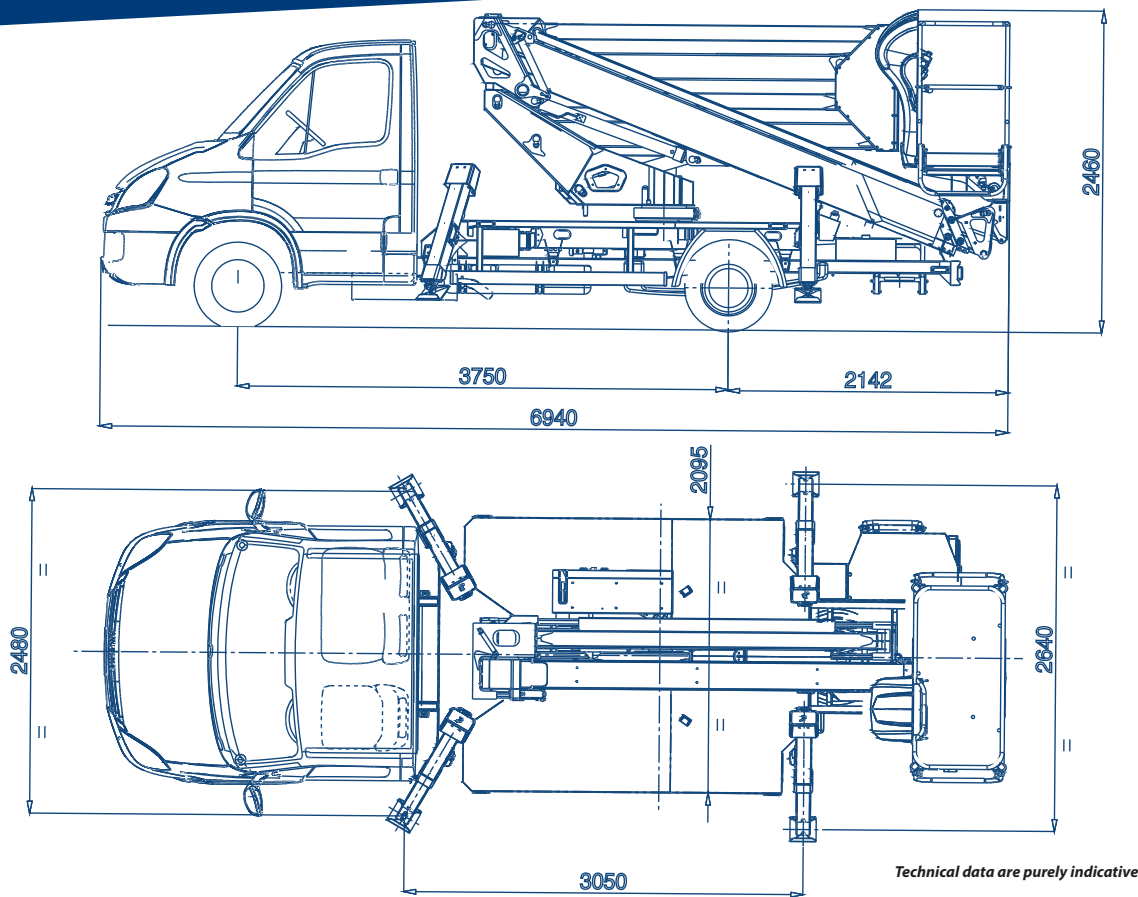
- Mechanical gearbox - 6 gears - 350nm
- 4x2 axle configuration
- 3.5 Ton single wheels
- FIA engine 136 hp EURO VI HD
- Power windows
- Height adjustable driver seat (no air suspension seat)
- Central locking with remote control

## OPTIONAL

- Boom and platform treated using corrosion-resistant paint, screws in stainless steel
- Water air-line supply to the basket
- Truck cabin anti-collision system
- Underride guards
- Underride guards with plastic toolbox [only if plastic toolbox is included as optional]
- Oil tank protection cover
- Kit junction protection [with standard basket rotation]
- Kit junction protection [with basket rotation with rotary actuator]
- Fiberglass basket 1400 x 700 x 1100 mm [instead of standard]
- Fiberglass basket 1400 x 700 x 1100 mm + insulation 1 KV [instead of standard]
- Basket rotation with rotary actuator [instead of standard]
- Kit 4 wood outrigger plates [placed under the deck]
- Kit 4 nylon outrigger plates [placed on the rear left side of the vehicle]
- Working height limiting device
- Tilt sensor
- 12V DC socket
- 12V DC socket + Working light 60W on basket
- Kit 2 harnesses with rope
- Electrical pump 12V DC 1.6 kW for emergency descent
- Auxiliary single-phase 110 V AC or 220 V AC - 2.2 kW electrical pump [electrical control panel and battery charger powered by an external source]
- 12 V revolving orange light for truck cabin
- 12 V revolving blue light for truck cabin
- 12 V revolving orange light for truck cabin + bar
- 12 V revolving orange light for truck cabin + trifflesh bar
- Plastic toolbox with dimensions 480 x 400 x 400mm placed under the deck
- Red and white reflective decals on truck
- Fixed aluminium side panels 100mm / 150 mm / 200 mm height
- Drop-down panels on 1 side (right) 100 mm / 150 mm / 200 mm height
- Drop-down panels on 2 sides 100 mm / 150 mm / 200 mm height
- Extended warranty 2 years [+1 year in addition to standard warranty conditions]
- Extended warranty 3 years [+2 years in addition to standard warranty conditions]
- Air conditioning system
- Truck cabin painting different from standard
- Aerial part painting different from standard



# Snake 2010 plus



*All technical data, descriptions and illustrations are purely indicative and subject to change at PM Oil&Steel own discretion and without notice*

## TECHNICAL FEATURES

|                        |   |
|------------------------|---|
| Max working height (m) | 20 m  |
| Max outreach (m)       | 10,2 m  |
| Max basket capacity    | 250 kg  |
| Basket dimensions      | 1400x700xh1100 mm aluminium<br>[Fiberglass as optional] |
| Controls               | Proportional hydraulic                                  |
| Turret rotation        | 400°  |
| Basket rotation        | 90° left + 90° right                                    |
| Outriggers             | A Type  |
| Machine length         | 6940 mm   |
| Machine height         | 2460 mm   |
| Machine width          | 2480mm  |

### PM Oil&Steel SpA

IT - 41018 S. Cesario Sul Panaro MO  
Via G. Verdi, 22  
tel. +39 059 936811 • fax +39 059 936804  
info@oilsteel.it • www.oilsteel.com

Oil&Steel is a brand of Manitex International

**OIL & STEEL**  
AERIAL PLATFORMS