

ROUGH-TERRAIN SCISSOR LIFTS



H 12 SX
H 15 SX
H 18 SX



- 19 ft 5 in X 5 ft 10 in (6 m x 1.8 m) platform.*
- 1.980 lb (900 kg) lift capacity.
- 40% gradeability.
- Standard 4 wheel drive.

* with both extension decks fully extended.



H 12 SX
H 15 SX
H 18 SX

Rough-terrain scissor lifts

The Haulotte® advantages

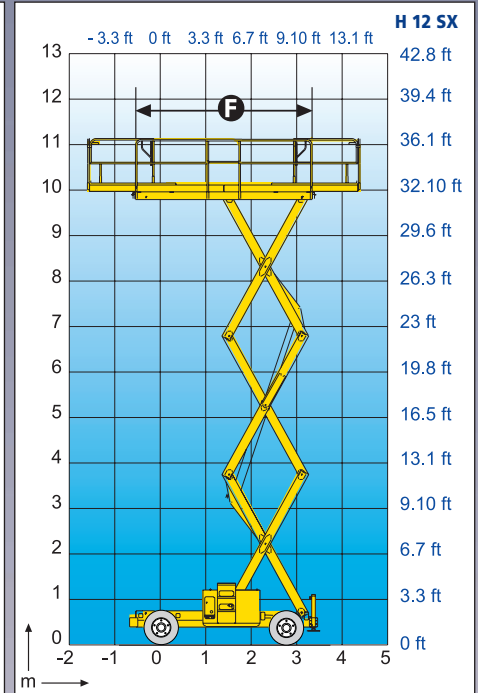
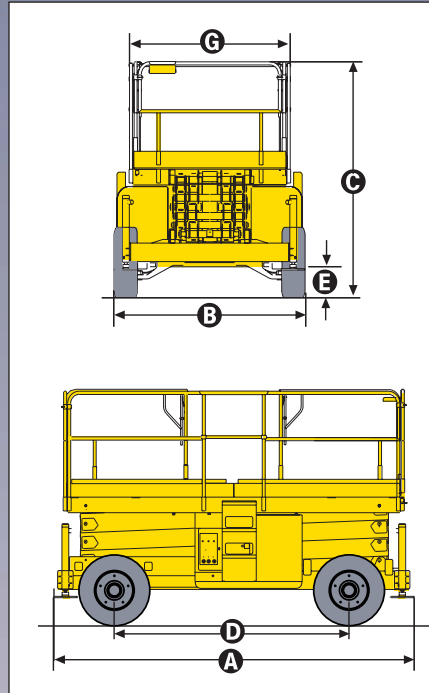
- Double extension for increased working area
- Hydraulic differential lock for improved rough terrain capability
- 27cm - 11in ground clearance ensures exceptional rough terrain performance
- Tight turning radius ensuring an excellent manoeuvrability
- Maximum drive speed : 6 km/h / 3,7 mph
- Compact stowed height and width makes transport and manoeuvrability easier
- Foam filled tyres
- Full proportional controls
- Load limiter in cage
- Robust, reliable and easy to maintain design

STANDARD FEATURES

- 4 wheel drive (2 front steering wheels)
- 5° tilt alarm
- 1 m / 3 ft 3 in double extension
- Load limiter in cage
- 12 V - 95 Ah batteries
- 14 V - 50 A alternator
- Removable operator's control box
- Free wheeling device
- Hourmeter
- Horn
- Towing hooks
- Hydraulic brakes
- Hydraulic stabilisers
- Manual emergency lowering system
- Automatic levelling outriggers
- Centralised stabiliser (H18SX)

OPTIONS & ACCESSORIES

- Rotating beacon
- Travel alarm
- Mains power outlet on platform
- Working light
- Encoded starting device
- Biodegradable hydraulic oil
- Motion alarm for movements and translation
- Non-marking tyres
- Hot weather kit
- Automatic hydraulic levelling jacks (standard on H18SX)
- 3kW generator
- Centralised stabiliser (H12 -H15 SX)



SPECIFICATIONS

	*H 12 SX		*H 15 SX		*H 18 SX	
Working Height	39ft	12 m	49ft	15 m	59ft	18 m
Platform Height	32 ft 9 in	10 m	42 ft 7 in	13 m	52 ft 5 in	16 m
Maximum Capacity (two extensions)	1.540 lb	700 kg	1.100 lb	500 kg	1.100 lb	500 kg
A Length	13 ft 16 in / 4.18m					
B Width	7 ft 4 in / 2.25 m					
C Stowed Height	8 ft 5 in	2.57 m	9 ft 1 in	2,77m	9 ft 8 in	2.96 m
Travel/transport Height	4 ft 6 in	1.71 m	5 ft 2 in	1.90 m	5 ft 10 in	2.11 m
D Wheelbase	9 ft / 2.75 m					
E Ground clearance	11 in / 27 cm					
F x G Platform size	153 in x 71 in / 3,91 x 1,81 m					
Platform extension	3 ft 3 in / 1 m					
Extension capacity	440 lb / 200 kg					
Drive speed	0.4/3.7 mph / 1.6 / 6 km/h					
Outside turning radius	19 ft 4 in / 5,90m					
Raise / Lower speed	43 / 65 sec.		46 / 57sec.		60 / 60 sec.	
Power source	Diesel 32 hp - 24 kW					
Gradeability	40%					
Tilt alarm	5°		5°		3°	
Tyres (Foam Filled)	10 x 16.5"					
Hydraulic tank	26 gallons - 100 l					
Fuel tank	17 gallons - 65 l					
Weight	12.147 lb	5510 kg	13.977lb	6340 kg	15.970 lb	7.300 kg

AS1418.10 * with stabiliser



HAULOTTE UK LTD • STAFFORD PARK 6 • TELFORD - SHROPSHIRE TF3 3AT • TEL : +44 (0)1952 292753 • FAX : +44 (0)1952 292758 • E-mail : haulotte@haulotte.co.uk
 HAULOTTE SCANDINAVIA AB • ARÖDS INDUSTRIVÄG 66 B • 422 43 HISINGS BACKA - SWEDEN • TEL : +46 31 744 32 90 • FAX : +46 31 744 32 99 • E-mail : hwallin@haulottese.se • www.haulotte.se
 HAULOTTE AUSTRALIA PTY LTD • 65 LICOLA CRES • DANDENONG - VIC - 3175 • TEL : +61 (0)3 9706 6787 • FAX : +61 (0)3 9706 6797 • E-mail : sales@haulotte.com.au
 HAULOTTE SINGAPORE PTE. LTD • 26 Changi North Road Way • SINGAPORE 498812 • TEL : +65 6536 3989 • FAX : +65 6536 3969 • E-mail : haulotteasia@haulotte.com

Haulotte GROUP